



PRE-RELEASE INFORMATION

VHF GMDSS TRANSCEIVER with CLASS A DSC

GM600



Day mode display

GMDSS

Global Maritime Distress and Safety System

Reliable Performance
and Clean Graphical User Interface

ITU Class A DSC Facility

New Intuitive User Interface
for Straightforward Operation

10W Audio Output Power
with External Speaker

Satisfies the SOLAS Carrying
Requirements: GMDSS and MED

Large and High Contrast 4.3 inch TFT Color LCD
with Day and Night Mode

IPX7 Waterproof Construction

Compact Body for Simple Installation



Night mode display

PS-310 DC-DC converter



IPX7

(Front panel only)



Compliant with GMDSS

The GM600 meets the GMDSS requirements as required for SOLAS regulated commercial vessels engaging in international voyage. With the optional PS-310 DC-DC converter, the GM600 meets the MED, "wheel mark" requirements for European merchant ships.



ITU Class A DSC Facility

The GM600 has a dedicated DSC receiver which continuously monitors CH 70 and is independent of the main receiver and other operation. The DSC Multi-task function allows you to show up to 7 received and transmitted DSC messages. While using the DSC Multi-task screen, the operating channel is shown at the right side of the screen.



DSC Multi-task screen



Large 4.3 inch Color TFT LCD

The color TFT LCD offers user-friendly icons and display design. The improved font allows quick recognition of alphanumeric characters. You can select the day and night modes according to the lighting conditions.

SPECIFICATIONS

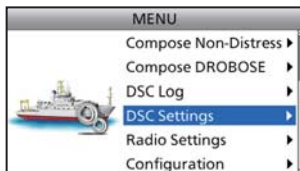
GENERAL		
Frequency range	Tx Rx CH70	156.025–161.600MHz 156.025–162.000MHz 156.525MHz
Usable channels		INT channels
Type of emission		16K0G3E (FM), 16K0G2B (DSC)
Power supply requirement		24V DC (21.6–31.2V DC) with PS-310 (#01)
Current drain (approx.)	Tx 25W output Rx Max. audio	3.3A (with PS-310 #01) 2.0A (with PS-310 #01)
Operating temperature range		–15°C to +55°C
Antenna impedance		50Ω (SO-239)
Weight (approximately)		1600g
TRANSMITTER		
Rated output power		25W, 1W
Max. frequency deviation		±5.0kHz
Frequency error		Less than ±0.5kHz
Spurious emissions		Less than 0.25μW
Residual modulation		More than 40dB
Adjacent channel power		More than 70dB

This device has not been approved by the appropriate authorities in each country. This device may not be sold or leased, or be offered for sale or lease, until approval has been obtained. All stated features, appearances, screen shots and specifications may be subject to change without notice. Icom, Icom Inc. and Icom logo are registered trademarks of Icom Incorporated (Japan) in Japan, the United States, the United Kingdom, Germany, France, Spain, Russia, Australia, New Zealand and/or other countries. All other trademarks are the properties of their respective holders.



Intuitive User Interface

Menu items are shown with user-friendly icons and that can be navigated via the main dial knob or the up and down keys. Often-used functions are lined up at the bottom of the display and they can be toggled with the left and right keys.



Menu display



High Quality Front Speaker

The built-in 57mm diameter front speaker is waterproofed and provides clear audio from bass to treble. When connected with an external speaker, the GM600 offers powerful 10W audio output so that you can clearly hear voice and sound even in a noisy place.

And More

- IPX7 waterproof construction for the front panel (1m depth of water for 30 minutes)
- The PS-310 DC-DC power supply for floating ground connection
- NMEA 0183 interface for GPS connection
- Supports new VHF marine channel plan effective from January 1st, 2017
- Compact body for simple installation

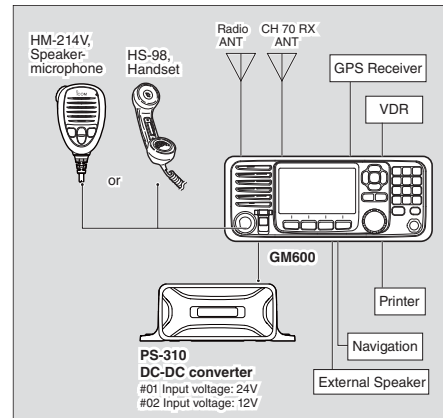
RECEIVER	
Intermediate frequency	30.15MHz, 450kHz (1st/2nd)
DSC receiver	46.35MHz, 450kHz (1st/2nd)
Sensitivity 20dB SINAD	Less than –7dBμ emf. typ.
DSC (1% BER)	Less than –7dBμ emf. typ.
Adjacent channel selectivity	More than 75dB
DSC receiver	More than 73dBμ emf
Spurious response	More than 75dB
DSC receiver	More than 73dBμ emf
Intermodulation	More than 75dB
DSC receiver	More than 73dBμ emf
Hum and noise	More than 40dB
Audio output power	10W with 4Ω load at 10% distortion

Measurements made in accordance with EN 301 925. All stated specifications are subject to change without notice or obligation.

Applicable IP Rating

Ingress Protection Standard	
Water	IPX7 (1m depth of water for 30 minutes)

INTERCONNECTION DIAGRAM



OPTIONS

PS-310 DC-DC CONVERTER



Provides 12V output from either 12V or 24V DC input, depending on version.

HS-98 HANDSET



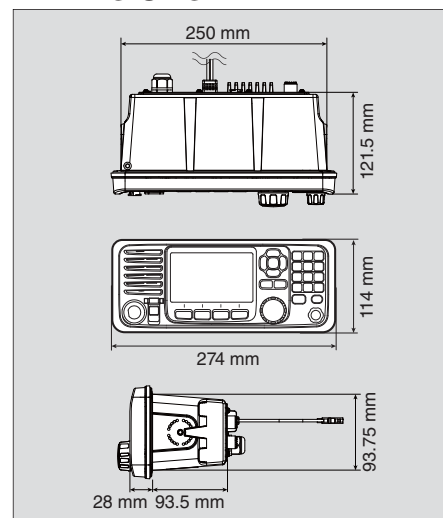
HM-214V
SPEAKER-MICROPHONE
Same as supplied.

Please Note: PS-310 MUST BE USED with GM600 for MED certification compliance.

Supplied accessories:

- Hand microphone, HM-214V
- DC power cable
- Mounting bracket kit

DIMENSIONS



Icom Inc.

1-132, Kami-minami, Hirano-Ku, Osaka 547-0003, Japan Phone: +81 (06) 6793 5302 Fax: +81 (06) 6793 0013

www.icom.co.jp/world

Count on us!

Icom America Inc.

12421 Willows Road NE,
Kirkland, WA 98034, U.S.A.
Phone: +1 (425) 454-8155
Fax: +1 (425) 454-1509
E-mail: sales@icomamerica.com
URL: <http://www.icomamerica.com>

Icom Canada

Glenwood Centre #150-6165
Highway 17A, Delta, B.C.,
V4K 5B8, Canada
Phone: +1 (604) 952-4266
Fax: +1 (604) 952-0090
E-mail: info@icomcanada.com
URL: <http://www.icomcanada.com>

Icom Brazil

Rua Itororó, 444 Padre Eustáquio
Belo Horizonte MG,
CEP: 30720-450, Brazil
Phone: +55 (31) 3582 8847
Fax: +55 (31) 3582 8987
E-mail: sales@icombrazil.com

Icom (Europe) GmbH

Communication Equipment
Auf der Krautweide 24
65812 Bad Soden am Taunus, Germany
Phone: +49 (6196) 76885-0
Fax: +49 (6196) 76885-50
E-mail: info@icom-europe.com
URL: <http://www.icomeurope.com>

Icom Spain S.L.

Ctra. Rubi, No. 88 "Edificio Can Castanyer"
Bajos A 08174, Sant Cugat del Valles,
Barcelona, Spain
Phone: +34 (93) 590 26 70
Fax: +34 (93) 589 04 46
E-mail: icom@icomspain.com
URL: <http://www.icomspain.com>

Icom (UK) Ltd.

Blacksloe House, Altira Park,
Herne Bay, Kent, CT6 6GZ, U.K.
Phone: +44 (0) 1227 741741
Fax: +44 (0) 1227 741742
E-mail: info@icomuk.co.uk
URL: <http://www.icomuk.co.uk>

Icom France s.a.s.

Zac de la Plaine,
1 Rue Brindjonec des Moulinais, BP 45804,
31505 Toulouse Cedex 5, France
Phone: +33 (5) 61 36 03 03
Fax: +33 (5) 61 36 03 00
E-mail: icom@icom-france.com
URL: <http://www.icom-france.com>

Icom (Australia) Pty. Ltd.

Unit 1 / 103 Garden Road,
Clayton, VIC 3168 Australia
Phone: +61 (03) 9549 7500
Fax: +61 (03) 9549 7505
E-mail: sales@icom.net.au
URL: <http://www.icom.net.au>

Icom New Zealand

39C Rennie Drive, Airport Oaks,
Auckland, New Zealand
Phone: +64 (09) 274 4062
Fax: +64 (09) 274 4708
E-mail: inquiries@icom.co.nz
URL: <http://www.icom.co.nz>

Asia Icom Inc.

6F No. 68, Sec. 1 Cheng-Teh Road,
Taipei, Taiwan, R.O.C.
Phone: +886 (02) 2559 1899
Fax: +886 (02) 2559 1874
E-mail: sales@asia-icom.com
URL: <http://www.asia-icom.com>

Your local distributor/dealer: