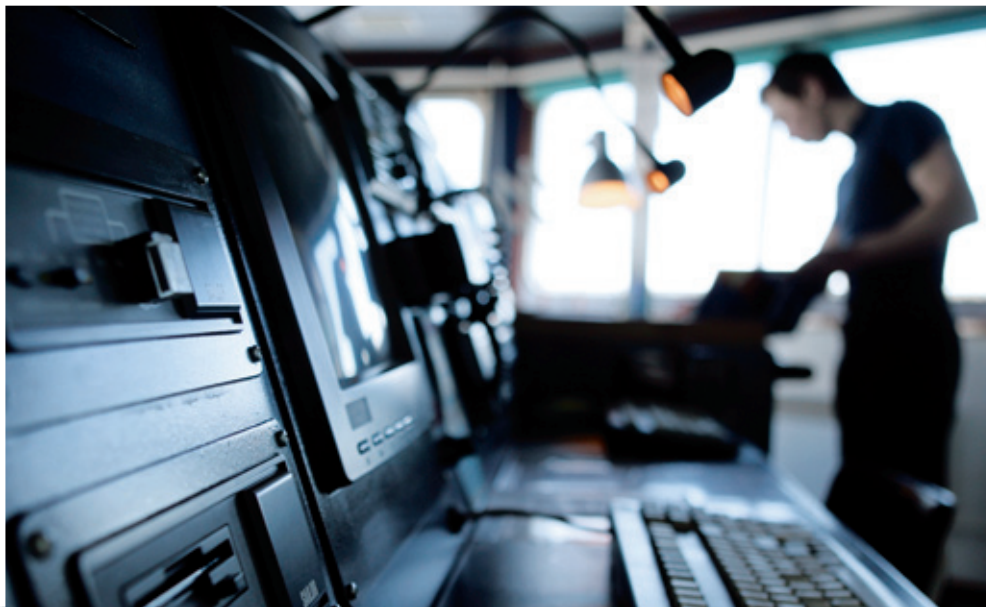
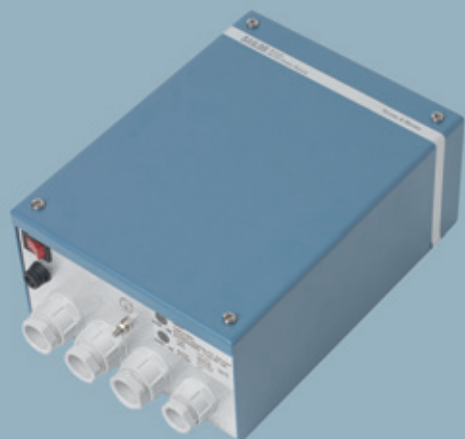


## SAILOR N163S POWER SUPPLY

### Universal AC/DC Power Supply

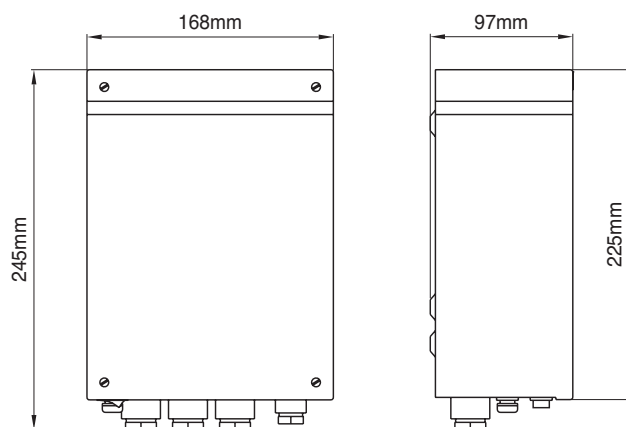


### SAILOR N163S Power Supply

The SAILOR N163S Power Supply is a sturdy and reliable work horse, featuring automatic change-over from AC mains to 24V DC, ensuring continued power.

The SAILOR N163S Power Supply is recommended for the following SAILOR products from Thrane & Thrane:

- All VHF radios
- AIS
- Inmarsat-C GMDSS
- Inmarsat mini-C
- Inmarsat mini-M
- SSAS systems
- Iridium



|                  |                     |
|------------------|---------------------|
| Input Voltage:   | 110/127/220/237V AC |
| Input Power:     | Max 220W            |
| Output Voltages: | 24V DC unregulated  |
| Output Current:  | 7 A                 |
| Output Power:    | 170W                |
| Alarm Output:    | Dry contact NO/NC   |
| Weight:          | 5.0 kg (11 lbs)     |

Specifications subject to change without notice.

## SAILOR®

